

FEATURES

- Installs in bottom of framed base cabinets and vanities utilizing pre-drilled holes in front frame and back panel. Also available for frameless base cabinets utilizing pre-drilled holes in end panels.
- Installs in 24" deep framed and frameless Utility Cabinets (UC), utilizing pre-drilled holes in end panels.
- Framed Natural Hardwood and Framed White.
- Frameless Natural Hardwood and Frameless White.

PARTS LIST

- Tray Core
- Left & Right Roller Guides with Brackets
- Installation Hardware
- Tray Spacers (BTK 18 & 24 only)

TOOLS REQUIRED

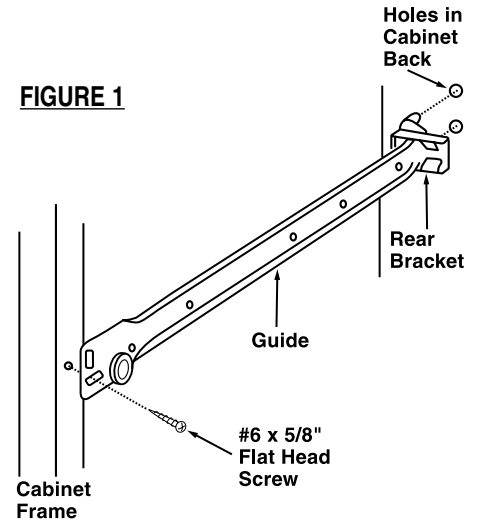
- #2 Phillips Screwdriver

Tray Kit Installation Instructions

For Base Cabinet Application

- Step 1** Determine location tray is to be installed in base cabinet. It may be at the bottom of door opening or at a mid-height location.
- Step 2** Remove any plugs covering rear mounting holes. Front mounting holes are located on the inside edge of the front frame.
- Step 3** Determine left guide by comparing to Figure 1. Roller will be on the lower edge, rear bracket will extend to the right.
- Step 4** Install left guide by inserting the rear bracket studs into the two mounting holes in the back. Attach the front of the guide to the frame as shown with the #6 x 5/8" flat head screw.
- Step 5** Repeat for right side guide.
- Step 6** Install tray.

FIGURE 1



For 24" Deep Utility Cabinet Application

- Step 1** Determine location of tray in cabinet. End panels are pre-drilled for multiple tray or shelf locations.
- Step 2** For left side of cabinet, attach one tray spacer to the front row of holes and another to the back row of holes. The center row of holes is for half depth shelves only. Use two (2) #6 x 7/16" flat screws to attach each spacer to the end panel.
- Step 3** Determine the left guide by comparing to Figure 2. Roller will be on the lower edge, rear bracket will extend to the right.
- Step 4** Remove rear bracket and discard.
- Step 5** Attach guide to tray spacer with two (2) #6 x 7/16" flat head screws. Use the holes as shown in Figure 2.
- Step 6** Repeat Step 2 through 5 for right side guide.
- Step 7** Install tray.

FIGURE 2

