

## FEATURES

- Fits 15" or 18" wide base cabinet drawers, or 30" and 36" wide cabinets (30" and 36" wide must be two top drawers).
- Uses existing cabinet's drawer front and outer drawer slides.
- 7/8" thick removable hardwood cutting board with integral finger pull.
- CBK 15 holds 5 knives, CBK 18 holds 11 knives.
- Can not be used in Merillat Deluxe cabinetry.

## PARTS LIST

- 1 Cutting Board
- 1 Cutting Board Slide Assembly
- 1 Cutlery Tray
- 1 Hardware Pack Containing:
  - 2 – #6 x 1/4" Truss Head Screws
  - 2 – #8 x 1" Truss Head Screws
  - 2 – #8 x 7/8" Flat Head Screws
  - 2 – #8 x 5/8" Truss Head Screws
  - 4 – Plastic Washers

## TOOLS REQUIRED

- #2 Phillips Head Screwdriver
- Electric Drill with 3/32" and 1/8" Drill Bits

# Cutting Board Kit Installation Instructions

**Step 1** Remove existing drawer. DO NOT remove drawer slides from cabinet.

**Step 2** Place drawer face down on clean surface. Mark the back of drawer head where drawer core is located (see Figure 1).

**Step 3** Remove drawer head from drawer core.

**Step 4** Remove the cutting board from the cutting board slide assembly. Slide the cutting board slide assembly into the cabinet. Leave the cross piece (across the assembly top) in place (see Figure 2).

**Step 5** With slide assembly positioned in cabinet, align the front edge of slide assembly with bottom edge of front frame top rail. Drill four 3/32" pilot holes in the cabinet frame using existing holes in the cutting board slide as a guide.

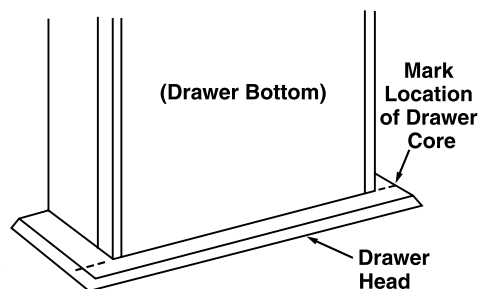
**Step 6** Attach the front of the slide assembly to the cabinet frame. Place two plastic washers between each slide and the cabinet frame. In each top hole, use a #8 x 7/8" flat head screw; in the bottom holes, use a #6 x 1/4" flat head screw. Position each washer so the screw passes through it (see Figure 3).

**Step 7** Locate back of slide assembly against bottom edge of cabinet back rail. Fasten to cabinet back with two #8 x 5/8" truss head screws through the pre-drilled holes.

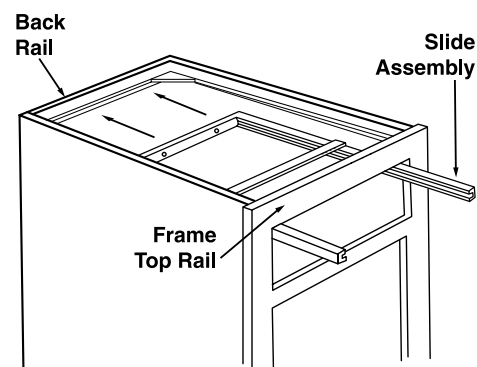
**Step 8** Position cutlery tray on existing drawer head lining up the bottom of the cutlery tray core with the mark made in Step 2. Using the pre-drilled holes in the cutlery tray front as a guide, drill a 1/8" pilot hole in the drawer head. Attach drawer head with two #8 x 1" truss head screws through the pre-drilled holes in the cutlery tray front.

Insert cutting board into cutting board assembly. Insert cutlery tray into WhisperGlide® cabinet member.

**FIGURE 1**



**FIGURE 2**



**FIGURE 3**

