

FEATURES

- For use in framed or frameless drawers.
- Hardwood divider measures $\frac{1}{2}$ " thick x $3\frac{1}{8}$ " tall x $20\frac{1}{2}$ " long.
- Kit can be installed in standard Merillat drawers or hardwood Merillat Deluxe drawer.

PARTS LIST

- 1 Wood Drawer Partition
- 2 Brackets with Adhesive Backing

TOOLS REQUIRED

- Fine Tooth Saw
- Pencil

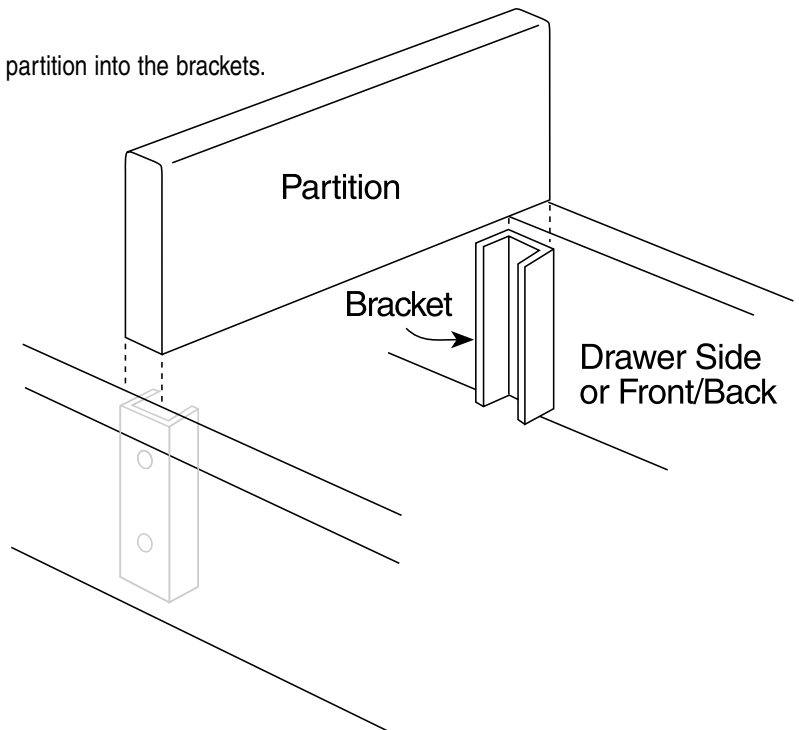
Drawer Partition Kit Installation Instructions

Step 1 Determine location of divider. May be placed front to back or side to side in drawer.

Step 2 Measure inside dimension of drawer at desired location. Cut partition $\frac{3}{16}$ " shorter than dimension. This will allow clearance for brackets.

Step 3 Hold brackets in position and mark a pencil line on one vertical side of each bracket. Brackets are adhesive backed; remove white backing tape and carefully press brackets into place on lines. Be careful to position brackets accurately as the adhesive adheres very strongly.

Step 4 Slide partition into the brackets.



Note: Brackets have two mounting holes for #6 flathead screws (not included) should the partition need to be moved.