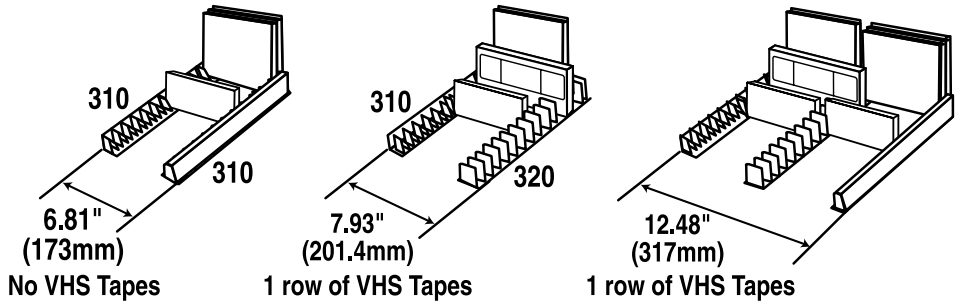


Media Storage Rails Installation Instructions

Step 1 Position rails as desired. Attach with screws provided.

Step 2 See illustration below for suggested installation configurations.



FEATURES

- For use in deep drawers and tray kits.
- Black plastic rails hold compact discs, audio and video tapes.
- Holds up to 24 compact discs or audiotape cassettes per row.
- Holds 10 VCR tapes.
- Width requirements for two rows varies from 10-3/4" for cassette tapes to 18-1/2" for VCR tapes.
- Length of rails is 12-1/2".

PARTS LIST

- Mounting Hardware
- End Rails (2)
- Center Rail (1)

TOOLS REQUIRED

- Phillips Screwdriver
- Measuring Tape

