



Message Center, Knife Rack, or Cookbook Rack Pull-Down Installation Instructions and Template

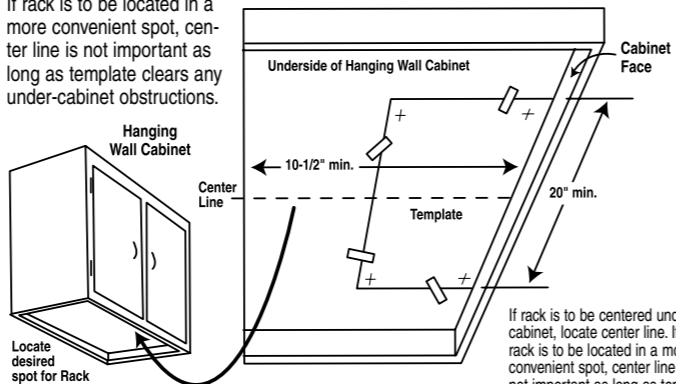
PARTS LIST

- Assembly Rack
- Wood Screws (4)

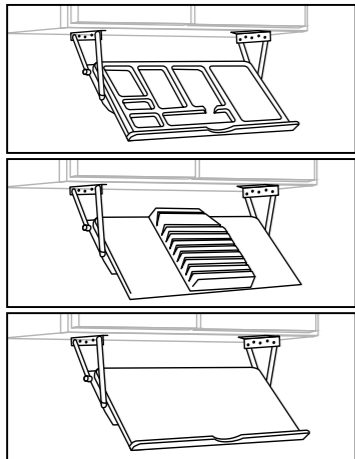
TOOLS REQUIRED

- Electric Drill
- Tape Measure
- Tape

Step 1 Locate desired spot. If rack is to be centered under cabinet, locate center line. If rack is to be located in a more convenient spot, center line is not important as long as template clears any under-cabinet obstructions.



If rack is to be centered under cabinet, locate center line. If rack is to be located in a more convenient spot, center line is not important as long as template clears any under-cabinet obstructions.



FEATURES

- For use under 24" or wider wall cabinet.
- Can be folded back under cabinet when not in use.
- Folded size is 21-1/2" wide x 10" deep x 2-3/4" high.

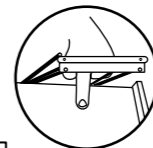
DO NOT DRILL COMPLETELY THROUGH CABINET BOTTOM

4/01

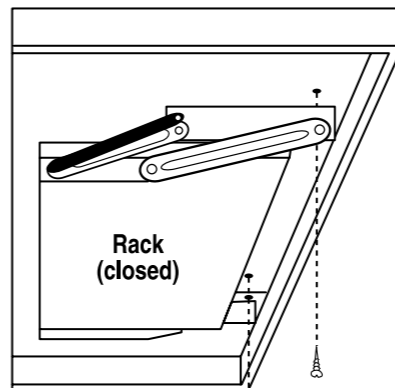
FRONT

CENTER LINE

Care and Use: Only use soap and water to clean the material. Never use alcohol, window sprays, kitchen scouring compounds, or solvents. These can cause damage to the material and/or affect the appearance.



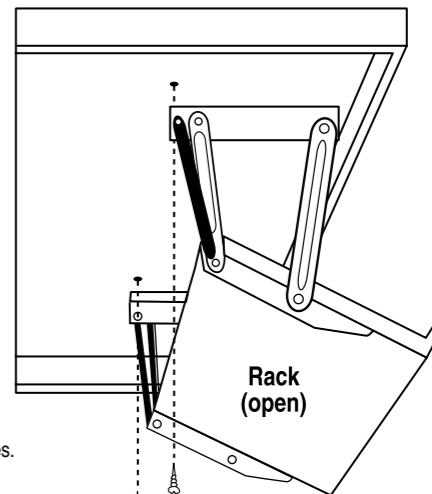
CAUTION: Spring loaded mechanism in open position can snap closed on hand or fingers. **DO NOT** open mechanism until **AFTER** two front screws are installed.



Step 2 Place rack in closed position against pilot holes.

Apply two (2) front screws only.*

* Turn screws in snugly but not with brute force. Mounting surface may be soft wood or some type of laminate where excess torque could cause screw threads to strip out.



Step 3 Carefully, while supporting back of unit, open display rack to expose two (2) back screw holes.

Apply two (2) back screws.*

17-5/16" Mounting Centerlines

10-1/2" Minimum Cabinet Clearance

FOLD ON DOTTED LINE

FOLD ON DOTTED LINE