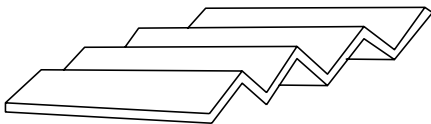


### FEATURES

- White polystyrene molded drawer insert has 3 terraces for storage of small jars and bottles.
- Rear compartment for storage of larger items.
- Can be trimmed.
- STI 15 designed for use with B 15, measures 10" wide x 20" deep x 1-3/4" high.
- STI 18 designed for use with B 18, measures 13" wide x 20" deep x 1-3/4" high.
- STI 21 designed for use with B 21, measures 16" wide x 20" deep x 1-3/4" high.

### PARTS LIST

- Spice Drawer Insert

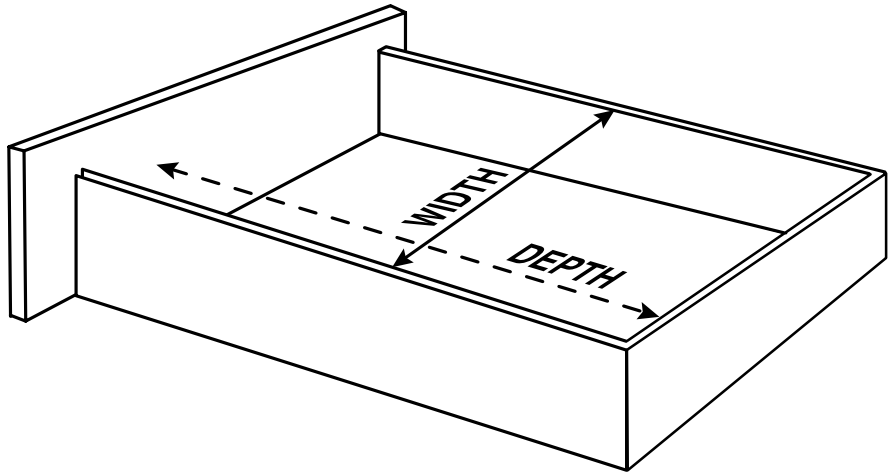


### TOOLS REQUIRED

- Tape Measure
- Hand Saw

## Spice Tray Insert Installation Instructions

**Step 1** Measure inside dimensions of the drawer into which the insert will fit. Subtract 1/16" from the width and depth.



**Step 2** Transfer the dimensions to the insert. Trim length and depth using a fine tooth hand saw and cutting at a low angle. Smooth any rough edges by using a knife and scraping along edge. Place insert into drawer.

