

FEATURES

- High-impact plastic tray installs to backside of sink base drawer front.
- Tilts down for convenient out-of-sight storage of small items, soap, etc.
- One pair of fully-concealed self-closing hinges included with each tray. Lifetime lubrication.

PARTS LIST

- 2 Hardware Bags
- 2 Polymer Trays
 - One Holds Soap
 - One Plain

TOOLS REQUIRED

- #2 Phillips Screwdriver
- Electric Drill and 3/32" Drill Bit (Optional)

HELPFUL HINTS

- A small amount of bar soap on the screws threads will reduce the initial installation effort.
- Pre-installation of the screws or pre-threading into holes will also ease final installation.
- Your new trays are made from a Hi-impact Polymer and may be cleaned using mild soap and water. Avoid scalding water, harsh abrasives and dishwashers.

Tilt-Out Sink Tray Installation Instructions

For Frame Cabinets

Step 1 Remove front panel or panels from sink cabinet.

Step 2 Install the hinges to both sides of the cabinet as shown in Figure A. Locate the front edge of the hinges flush with the outside of the cabinet 3/32" from top of the cross rail. Mark hole locations and drill pilot holes. Install flat head screws (provided) in the approximate middle of the elongated holes. This will allow for a future "up & down" adjustment of 3/16".

Step 3 Mark the back of the panel with the cabinet opening less the 1/8", distances shown in Figure B. Both marks should be equal from the sides.

Step 4 Measure the height of the elongated slots using the original panel position as your reference point. Mark the panel. Drill pilot holes as indicated in Figure C. Install the panel to the hinges using the Truss Head Screws provided.

Step 5 Close the panel, reach inside the cabinet and draw a line across the top of the frame opening on the back of the panel. Open the hinged panel and draw another line 1/8" below the top of the frame line. This new line is your gaging line for the top of the Tilt-Out Tray.

Step 6 Place the top of the tray against your gaging line, centered between the hinges, and mark the center of the top portion of the mounting holes. Drill pilot holes and apply the screws of sufficient depth to allow removal of tray for future cleaning.

Note: In most cases it is easier to remove the panel from the hinges for tray installation, reinstall and adjust the panel and then slip the tray on the screws.

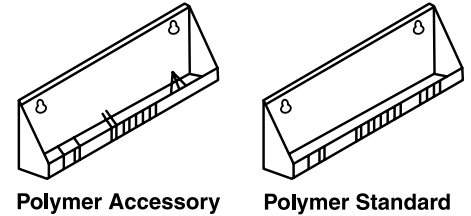


FIGURE A

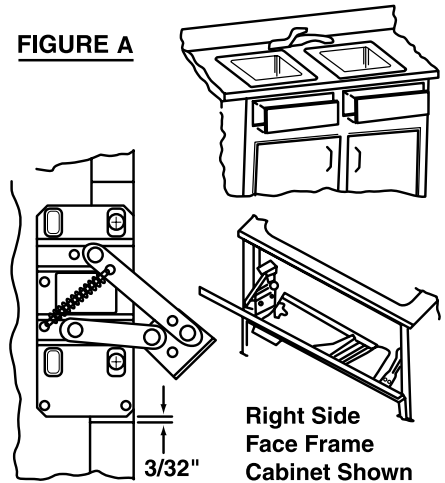


FIGURE B

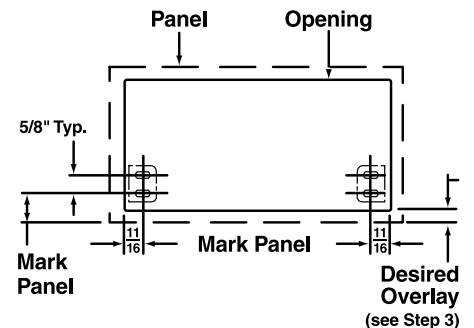


FIGURE C

