

### FEATURES

- Provides complete access into narrow cabinets.
- Steel wire partitions create storage sections for cookie sheets, serving trays and baking pans.
- Mounts to bottom of cabinet.
- TDRO 9 designed for use with 9" wide base cabinet.
- TDRO 12 designed for use with 12" and wider base cabinet.
- TDRO 9 is 6-1/8" wide (5-1/4" wide pull-out) x 13-3/4" high x 22" deep.
- TDRO 12 is 9-1/8" wide (8-1/4" wide pull-out) x 13-3/4" high x 22" deep.

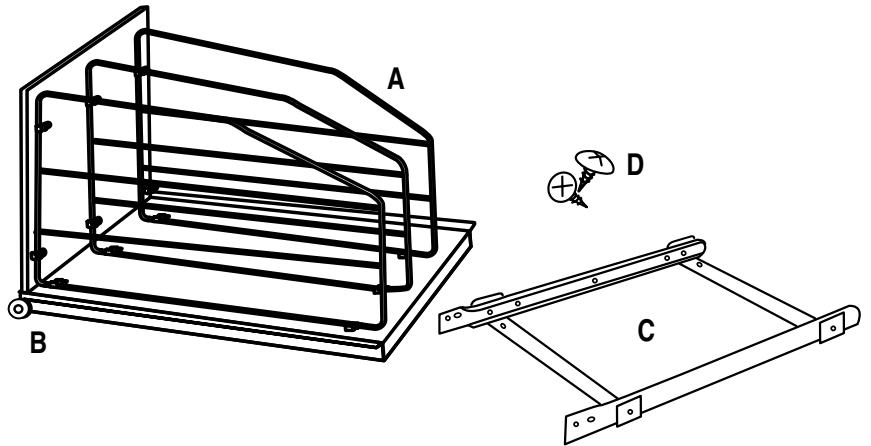
### PARTS LIST

- A. Tray Divider
- B. Pre-assembled Mounting Board
- C. Slide Bracket Assembly
- D. Mounting Screw Package

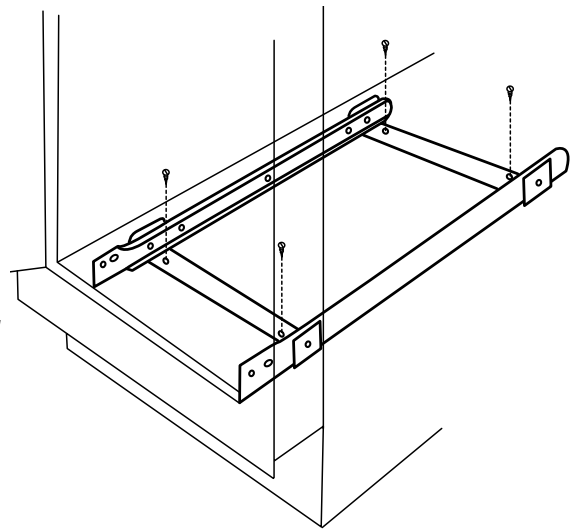
### TOOLS REQUIRED

- Phillips Head Screwdriver
- Drill with 1/16" Bit for Pilot Holes
- Pencil

## Tray Divider Roll-Out Installation Instructions



- Step 1** Place Slide Bracket Assembly (C) on cabinet floor. Set back 1" from front of cabinet. Close door to make sure unit will not hold cabinet door open. Once position is determined, fasten in place using Mounting Screws provided (D). *Optional: mark placement of screws with a pencil, remove unit, and drill pilot holes for fastening screws.*



- Step 2** Slide Mounting Board (B) with Tray Divider (A) installed into Slide Bracket Assembly (C) by inserting wheels on Mounting Board (B) into tracks on Slide Bracket Assembly (C). The Mounting Board and Tray Divider assembly should move freely along the track.

