

FEATURES

- Designed for under sink storage, maximizes space around plumbing fixtures.
- White epoxy-coated wire baskets.
- Roll-out assembly mounts to floor of cabinet.
- Removable top basket measures 5" wide x 17-1/2" deep x 2-1/2" high.
- UST 12 bottom basket measures 11" wide x 18-3/4" deep x 4" high.
- UST 15 bottom basket measures 14" wide x 18-3/4" deep x 4" high.
- UST 12 fits in a SB 24 and SB 30 or wider.
- UST 15 fits in a SB 24 and SB 36 or wider.
- Load rating of 20 lbs.

PARTS LIST

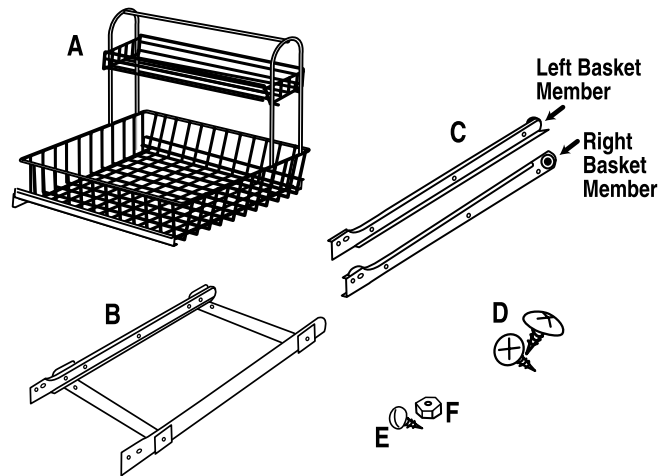
- A. Wire Basket
- B. Slide Bracket Assembly
- C. Basket Member Slides (2)
- D. Wood Screws (4)
- E. Round Head Machine Screws (4) (blunt end)
- F. Machine Screw Nuts (4)

TOOLS REQUIRED

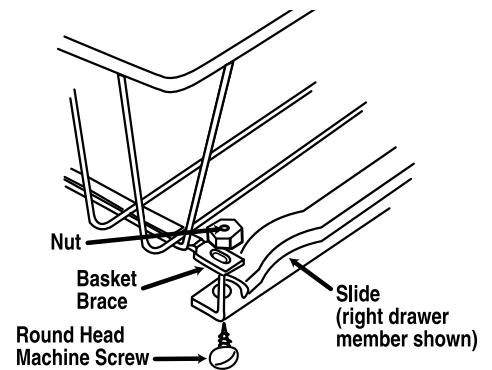
- Phillips Head Screwdriver
- Drill with 1/16" Bit for Pilot Holes
- Pencil
- 3/8" Open End Wrench

Under Sink Tote Installation Instructions

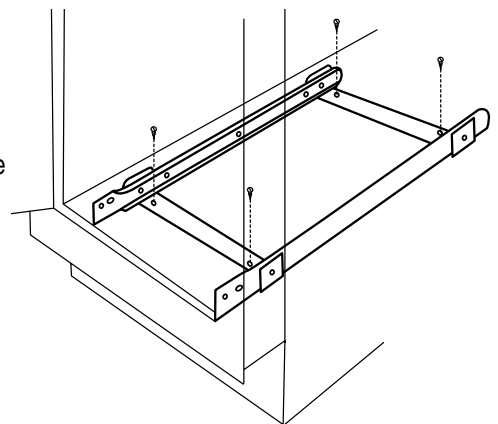
Basket can be installed with top basket on right hand side or left hand side. Determine which orientation is best for your installation. Be sure to install slides as described below with **wheels to the rear of the basket** as you wish it to be installed.



Step 1 Identify right and left basket member slides as shown. Attach to basket (A) using round head machine screws (E). Insert a screw into hole furthest from wheel and into hole in basket brace. Place nut (F) onto screw and slightly tighten. Insert second screw (E) into opposite end of slide (near wheel) in hole that aligns with basket brace and attach nut (F). Push slide tightly against basket and tighten nuts to hold in place. Repeat on other side.



Step 2 Place slide bracket assembly (B) on cabinet floor 1" from the front of the cabinet. Close door to make sure unit will not hold cabinet door open. Fasten in place using wood screws (D) provided. *Optional: To avoid splitting wood, you may mark placement of screws with pencil, remove unit and drill pilot holes for fastening screws.*



Step 3 Slide basket into slide bracket assembly by inserting wheels on basket into tracks on slide bracket assembly. The basket should move freely along the track.

