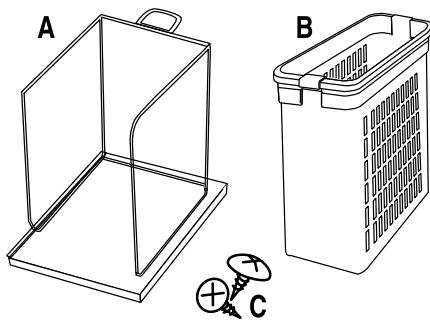


## FEATURES

- 60-quart Plastic Laundry Basket rolls on full-extension guides.
- Mounts to floor of cabinet.
- Plastic Laundry Basket lifts off of wire rim for easy removal.
- Designed for use in VB 18 or wider single-door vanity cabinet.
- Overall size is 19-3/4" high x 15" wide x 19-1/4" deep.
- Load rating of 30 lbs.

## PARTS LIST

- A. Pre-assembled Wire Cage and Slide Bracket Assembly
- B. Plastic Hamper (60 quarts)
- C. Mounting Screws (4)

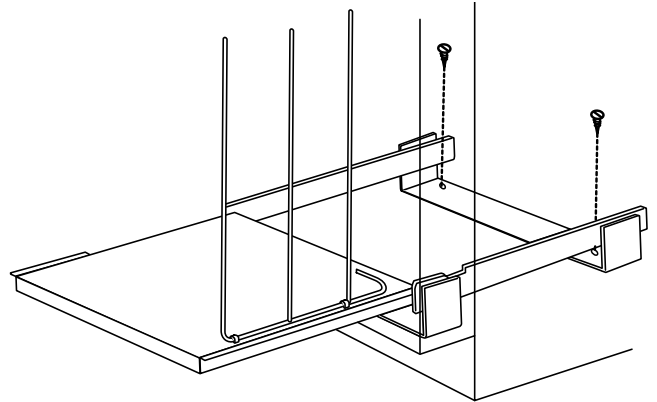


## TOOLS REQUIRED

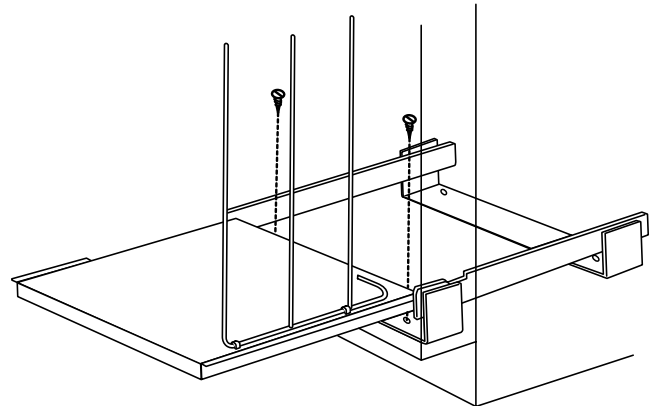
- Phillips Head Screwdriver
- Drill with 1/16" Bit for Pilot Holes
- Pencil

# Vanity Hamper Roll-Out Installation Instructions

- Step 1** Place Pre-assembled Wire Cage and Slide Bracket Assembly (A) to cabinet floor 1" back from front of cabinet. Close door to insure the unit will not hold cabinet door open. Also, make sure the hamper will clear door opening when extended. Once the position is determined, carefully slide Wire Cage and Slide Bracket Assembly (A) forward to expose rear mounting holes. Fasten in place using two (2) mounting screws (C). *Optional: mark placement of rear mounting holes with a pencil then remove the unit and drill pilot holes for fastening screws. Place assembly back into position and fasten.*



- Step 2** Slide Wire Cage and Slide Bracket Assembly (A) forward to fully-extended position. This will expose the two front mounting holes. Take care not to move the position of the mounting board assembly. Fasten front with two (2) mounting screws (C). *Optional: mark placement of front mounting holes with a pencil then remove the unit and drill pilot holes for fastening screws. Place assembly back into position and fasten. The Wire Cage and Slide Bracket Assembly (A) should move freely along the track.*



- Step 3** Drop 60-quart Plastic Hamper (B) into the Wire Cage engaging the hook in the rear of the Wire Cage. Your installation is now complete.

