

### FEATURES

- White wire rack designed for use with Avia, Kingsley, Rockingham and Arbor Falls II or Whitebay II lines.
- Store and display fine stemware.
- One row of stemware per rack.
- 4" wide x 11½" deep x 1½" high with 1" wide opening.

### PARTS LIST

- 1 Stemware Rack
- 2 Screws, #8 x 1/2" Truss Head
- 1 Screw, #8 x 1" Truss Head
- 1 Plastic Spacer

### TOOLS REQUIRED

- 3/32" Drill Bit
- Electric Drill
- #2 Phillips Screwdriver

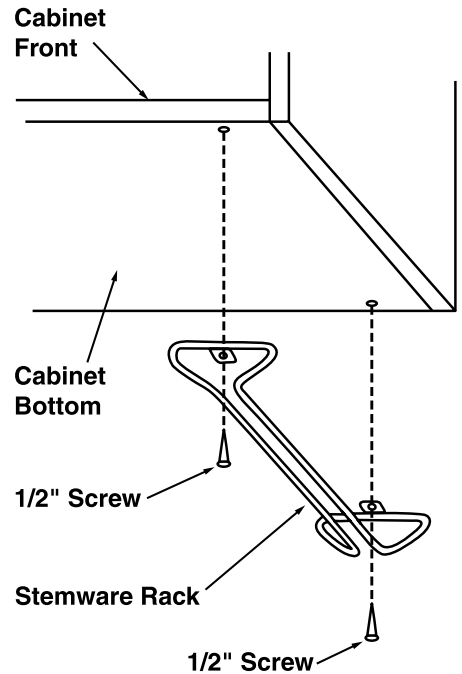
**Note:** This stemware rack is designed to mount under a Whitebay, Rutland or Frameless Cabinet.

## Wire Stemware Rack Installation Instructions

### For Frameless Cabinet Application

- Step 1** Position stemware rack flush with front of cabinet and mark screw locations.
- Step 2** Drill two (2) 3/32" pilot holes 3/8" deep at marks. *Take care not to drill completely through cabinet or shelf.*
- Step 3** Fasten rack in place using two (2) 1/2" screws provided. *Take care not to over tighten screws.*

**FIGURE 1**



### For Whitebay/Rutland Application

- Step 1** Position stemware rack flush with front edge of cabinet frame.
- Step 2** Mark front screw location on bottom edge of cabinet frame, and rear screw location on cabinet bottom.
- Step 3** Drill 3/32" pilot hole 1/4" deep at rear screw location. *Take care not to drill completely through cabinet bottom.*
- Step 4** Drill 3/32" pilot hole 1/4" deep at rear screw location. *Take care not to drill completely through cabinet bottom.*
- Step 5** Fasten rack to the front of the cabinet frame using 1/2" screw provided.
- Step 6** Inset plastic spacer at rear between rack and cabinet bottom.
- Step 7** Insert 1" screw (provided) through rack mounting hole and spacer. Fasten screw in place. *Take care not to over-tighten.*

**FIGURE 2**

